

AUTOTRANSFORMER    AT500-100 and AT500-200

This transformer is used, when instruments for operation from a nominal 100V supply is operated from other voltage source.

The maximum output capacitance is 500VA.

Input voltage ( 50 Hz/60 Hz )

AT500-100    110V, 115V, 120V and 127V

AT500-200    220V, 230V and 240V

Output voltage                    100V

Output capacitance                500VA

Insulation resistance            100 MΩ or more at DC 1 kV  
( Between primary wiring and GND )

Weight                                Approx. 3 kg ( AT500-100 )

Approx. 7 kg ( AT500-200 )

Dimensions                         160 W x 120 H x 165 D mm

( Maximum )                        ( 165 W x 135 H x 180 D ) mm

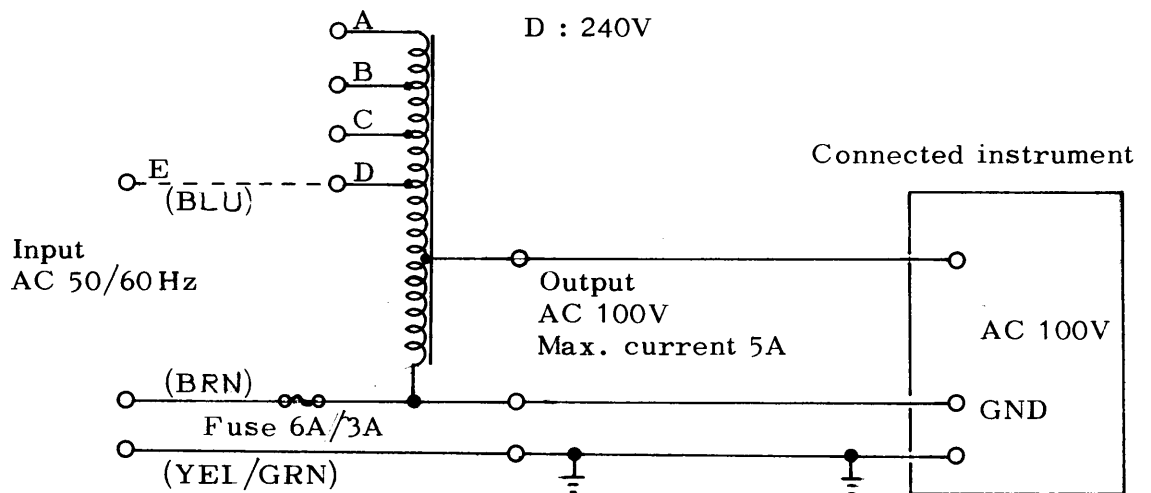
Connection

E is connected to A, B, C or D terminal.

For AT500-100    A : 127V   B : 120V   C : 115V   D : 110V

For AT500-200    A is not provided. B : 220V   C : 230V

D : 240V



Fuse : 6A is used for AT500-100, and 3A is used for AT500-200.

Note : GND terminal should be connected as shown in the figure.

771072